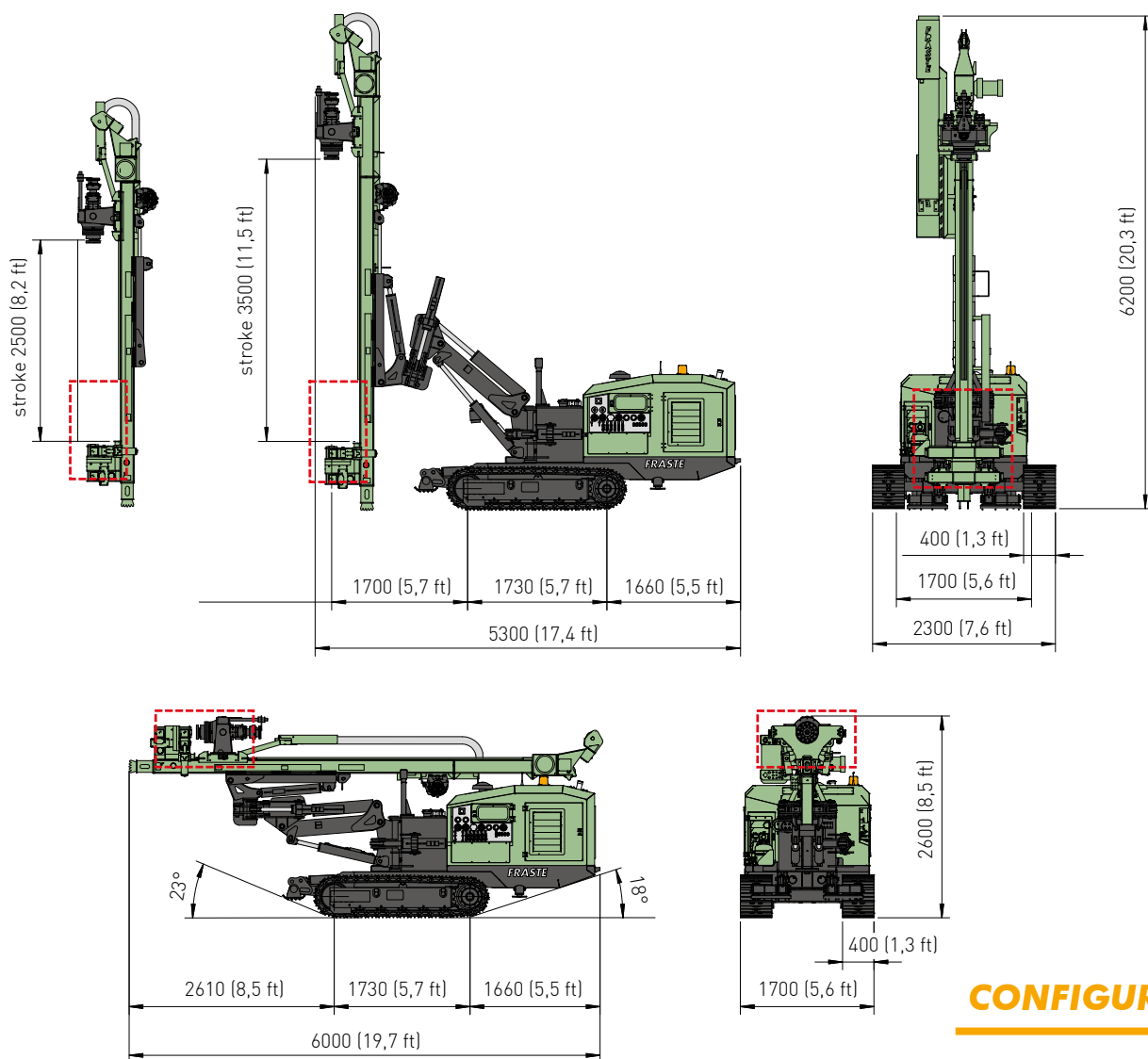


MITO 8C

Multipurpose *Drilling Rig*



ITALIAN DRILLING RIGS
MANUFACTURERS SINCE 1964

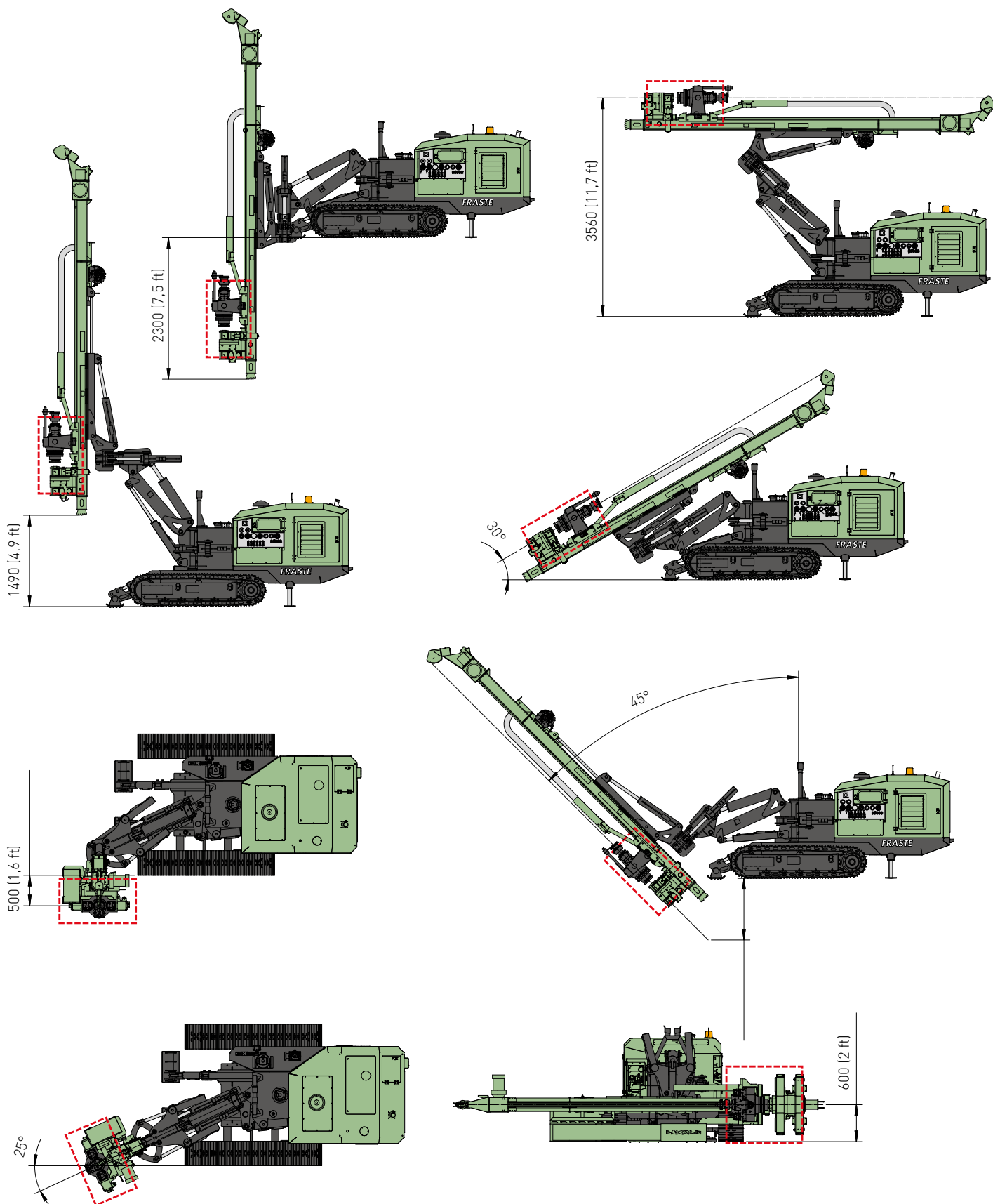


CONFIGURATION

MOTORE DIESEL		DIESEL ENGINE
Potenza	Power	CAT C3.6 - Stage V - Tier 4F - 90 Kw (120,6 Hp) KUBOTA V3800 - Stage IIIA - Tier 3 - 74 Kw (100 Hp)
Capacità serbatoio gasolio	Fuel tank capacity	85 l (22,5 gal)
Capacità serbatoio olio idraulico	Oil tank capacity	240 l (63,4 gal)
ANTENNA		MAST
Corsa testa di rotazione	Rotary head stroke	2500-3500 mm / (8,2- 11,5 ft)
Tiro nominale	Nominal Pull-up force	5000 daN (11240 lbf)
Spinta nominale	Nominal Pull-down force	5000 daN (11240 lbf)
TESTA ROTANTE		ROTARY HEAD
Coppia max.	Max. torque	up to 1180 daNm (8703 lbf*ft)
Velocità max.	Max. speed	up to 1100 rpm
MORSE		CLAMP AND BREAKER
Diametro	Diameter	40-250 mm (1,6"-9,8") / 60-280 mm (2,4"-11")
PESO		WEIGHT
		~8100 Kg (~18000 lbf)

MITO 8C

Innovation,
Power, Versatility.



MITO 8C

Innovation, Power, Versatility.



ACCESSORI - ACCESSORIES

Martello idraulico	Hydraulic drifter	
Pompa triplex	Triplex pump	160 l/min - 48 bar / (42 gpm - 700 PSI)
Pompa schiuma	Foam pump	34 l/min - 38 bar / (9 gpm - 550 PSI)
Pompa lavaggio	Washing pump	15 l/min - 200 bar / (4 gpm - 2900 PSI)
Lubrificatore di linea	Line lubricator	8,5 l/min - (2,25 gpm)

ALTRI OPTIONAL DISPONIBILI A RICHIESTA - OTHER OPTIONALS ARE AVAILABLE ON REQUEST



I dati esposti sul presente catalogo possono variare senza preavviso - Specifications may change without notice