

# CompactRotoSonic XL MAX

Ask for your  
tailored  
OPEX ROI  
calculation !

# CRS XL MAX:

- Mineral sampling
- Environmental exploration
- Geotechnical sampling and testing
- Geo-constructional drilling
- Seismic drilling
- Customized solutions

The CompactRotoSonic XL MAX (CRS XL MAX) is built to perform in the most challenging and diverse working conditions. Maximum power applicable in small spaces because of the great manoeuvrability.

## CRS-XL MAX

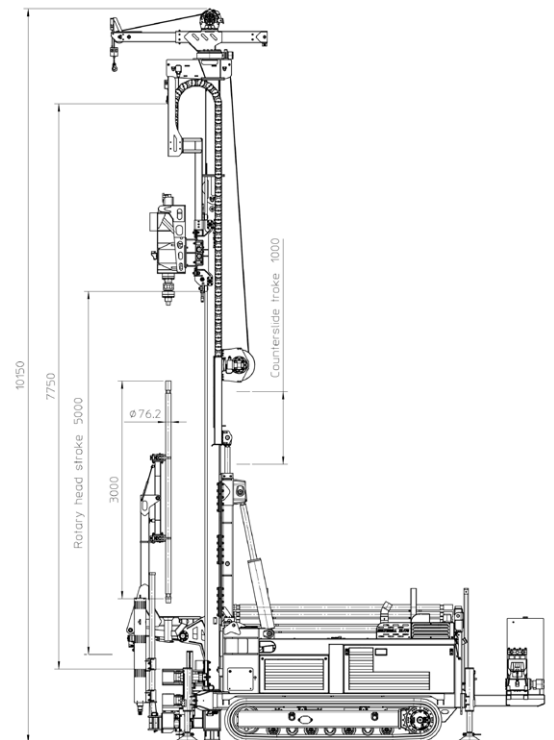
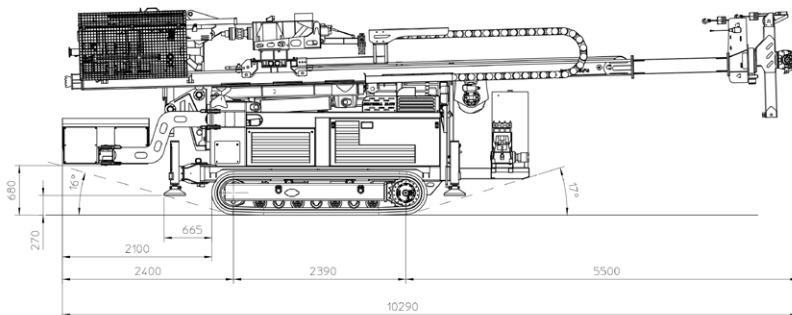


CompactRotoSonic HO Drill head	Metric	Imperial
Max. frequency	0 - 150 Hz	0 - 150 Hz
Sonic vibration oscillator output force	150 kN	33.8 k lbf
2 eccentrics, mechanically synchronized		
Rotation torque: clockwise 0-120 rpm	2.650 Nm @ 185 bar	1,955 ft-lbf @ 2,680 psi
Rotation torque: counter clockwise	3.000 Nm @ 210 bar	2,210 ft-lbf @ 3,045 psi
Head tilt max.	70°	70°
Type of damper / buffer	rubber 4x	rubber 4x
Max. hydraulic pressure on sonic	230 bar	3,335 psi
Mass of head	600 kg	1,350 lbf
Pull up force in combination with sonic	5.000 daN	11,240 lbf
Pull down force in combination with sonic	5.000 daN	11,240 lbf
Pull up force static	10.000 daN	22,480 lbf
Pull down force static	5.500 daN	12,400 lbf
Drilling under angle perpendicular driving direction	10°	10°
Advised power from rig engine	127 kW	170 HP

Rig	Metric	Imperial
Caterpillar 4 cylinder water cooled engine	129 kW	173 HP
Dimensions folded (L x W x H) approx.	8.850 x 2.310 x 2.995 mm	29' x 7'7" x 9'11"
Height (when drilling) max.	7.500 mm	24'7"
Mass approx.	12.000 kg	26,455 lbs
Fuel tank (diesel)	190 liter	50 gallon
Load sensing hydraulic system	Included	Included
Control panel on turning arm	Included	Included
High pressure water pump	19 l/min. @ 210 bar	5 gpm @ 3,045 psi
Large flow water pump	160 l/min. @ 45 bar	42 gpm @ 652 psi
Aluminum water tank	500 liter	132 gallon
Rubber tracks	Included	Included
Radio remote for driving	Included	Included
Work lights	4	4

Mast	Metric	Imperial
Stroke	4.500 mm	14'9"
Mast dump	600 mm	2'
Pull up	80 kN	18,000 lbf
Pull down	65 kN	14,610 lbf
Pull up and down speed	40 m/min	130 ft/min
Double hydraulic break out clamp	60 - 280 mm	2 3/8" - 11"
Adjustable clamping force of	110 kN	24,730 lbf
Break out torque	20 kNm	14,750 ft-lbf
Hydraulic break out cylinder	Included	Included
Main winch	1000 daN, 100 m/min, 100 m	2,250 ft-lbf, 328' / min, 328'

Rod / casing handler		
Mechanical separators among different rod layers	Included	Included
Casing or drill rod storage depends on diameter and length	Included	Included





Options	Metric	Imperial
SPT auto drop hammer with blow counter on control panel		
Casing lifter mounted on break out clamp	200 kN stroke 300 mm	45,000 lbs stroke 12"
Pneumatic separators among different rod layers		
Mud pump triplex piston	200 liter @ 70 bar	53 gallon @ 1015 psi
SPX40 hose pump	114 l/min @ 9.6 bar	30 gpm @ 140 psi
Steel tracks		
Triple floatable clamp		
ManipAll 200 (magnetic rod loading arm)		
Safety cage		
Slewable, extendable jibboom		



**For more information on demos, pilot projects or personal advice contact our sales department !**

**For urgent service calls and/or technical information contact or special service telephone: +31 313 800 967**



Uitmaat 8  
6987 ER Giesbeek  
The Netherlands

T +31 313 880 201  
E info@sonicsampdrill.com  
I sonicsampdrill.com